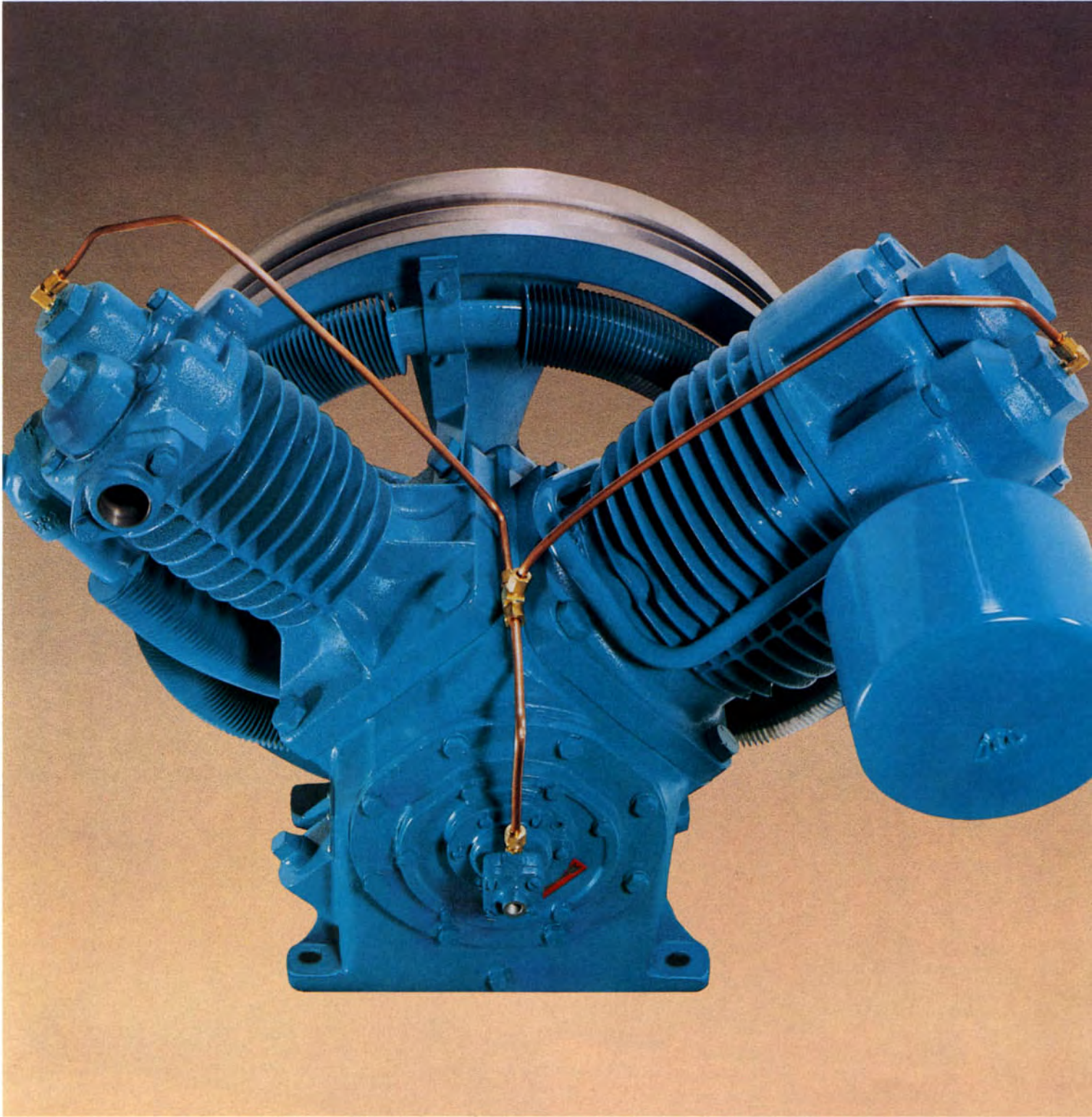




***PRESSURE LUBE UNIT COMPRESSORS
THE LIFESAVER™ LINE***



WHEN YOUR AIR SYSTEM SIMPLY HAS TO WORK.

You have a clear and simple choice. You can buy a bargain basement compressor and live with the risk of expensive downtime. Or, you can buy uptime assurance ... with the LeROI® Lifesaver™ Line of pressure lube unit compressors.

The arithmetic is simple: how many of your employees would a compressor shutdown affect, at what rate ... and how long can you afford it, or a rental while yours is repaired?

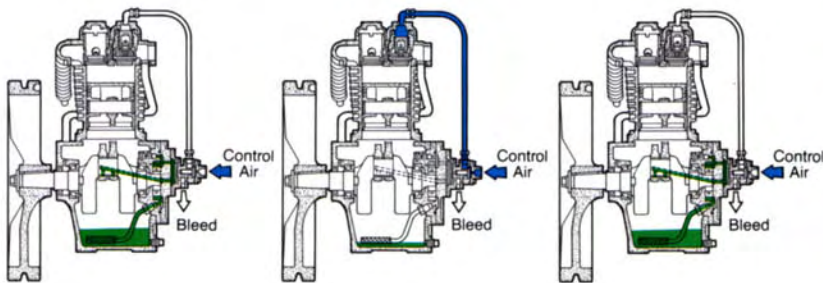
Here is what we mean in technical terms.

Self-protection vs. self-destruction.

When most compressors run short of oil, they keep on running ... until they seize up. So a problem you could have fixed in five minutes with a few quarts of oil costs you the price of a new compressor. And perhaps several hours of lost production as well.

LeROI's Lifesaver™ line is designed to prevent these problems. If oil pressure or oil level drop, a built-in interlock system automatically unloads the compressor – i.e. relieves it from the stress of compressing air. And saves its life.

Standard at no extra cost, this Lifesaver™ feature is worth the value of the compressor every time it's activated. It can save you money, spare you from hassles, and – most important – help keep your operation up and running.



Normal operation.

Oil pressure drops ... compressor unloads.

Result: compressor survives. Downtime is minimized.

Lifesaver™ pressure valve interlock unloads compressor when oil pressure or level drops; keeps compressor unloaded at start-up until oil pressure is adequate; eliminates motor overload.

*Not available on Model K350.



Pneumatic power for on-board controls. Many of the world's largest transit systems will use nothing but the LeROI Lifesaver™.

CHOOSE PROVEN RELIABILITY.

LeROI's Lifesaver™ design has proven its reliability in rapid transit braking systems, power circuit breakers, fluid logic applications, and a multitude of other jobs where reliable air is a necessity. Here are just a few examples of where and how we've won our spurs:

- **General Industry:** decentralized process/special use requirements; pneumatic tools.
- **Auto Aftermarket:** tire, exhaust system, and general maintenance tool operation; service trucks.
- **Climate Control:** small to medium sized buildings.
- **Printing:** vacuum handling; air actuated valves; pneumatic conveying.
- **Automotive Bodyshop:** body tools; paint spraying; hoists and impact wrenches.
- **Railroads and Mass Transit:** suspension and door operation; braking and controls; yard chargers.
- **Refineries & Chemical Plant:** liquid displacement.
- **Foundry:** mold tamping; chipping.
- **Fertilizer Manufacturing:** dry bulk material handling.
- **Marine-Tug Boats:** engine starting; steering and engine controls.
- **Drilling Rigs:** hole cleaning; controls.



**CompAir LIFESAVER™
PRESSURE LUBE
UNIT COMPRESSORS ...**



The CompAir Lifesaver™ is available in single stage and two-stage models. Two stage shown here.

CHOOSE BULLETPROOF DESIGN AND CONSTRUCTION.

The LeROI® Lifesaver™ is a heavy-duty compressor built for continuous, industrial use. In short, it's bulletproof.

Bulletproofing starts with solid, cast iron construction, because cast iron is synonymous with heavy-duty use. Deep finned cylinders provide optimum cooling for longer cylinder life. And the positive pressure lubrication system makes sure that oil goes exactly where it's needed ... when it's needed.

More specifically, normal lubrication begins with the movement of the crankshaft driven oil pump, so there's no dry starting. The rifle drilled crankshaft directs pressurized oil to all critical parts. And our Lifesaver™ feature, available on all LeROI pressure lube unit compressors, protects your investment in two ways. It keeps the compressor unloaded until normal operating speed and oil pressure are reached. And it automatically unloads the compressor if oil pressure falls during operation.

Finally, Lifesaver™ models operate at conservative rpm to produce the air you need. Slower speeds mean lower wear – and longer life.

CHOOSE HIGH EFFICIENCY.

All LeROI Lifesaver™ compressors are rated in true terms and deliver honest, useable compressor air. In fact, we deliver the maximum useable air per horsepower – more than 16 + cfm at 175 psig for the popular 5 hp models. Compare this with other 5 hp compressors.

CHOOSE FAST MAINTENANCE AND REPAIR.

Cylinders on our single and two stage models are detachable. This makes service faster and easier – and minimizes downtime. The same principle applies to our precision finished, disc type valves. Because they're accessible, valves can be easily replaced.

CHOOSE EASY INSTALLATION.

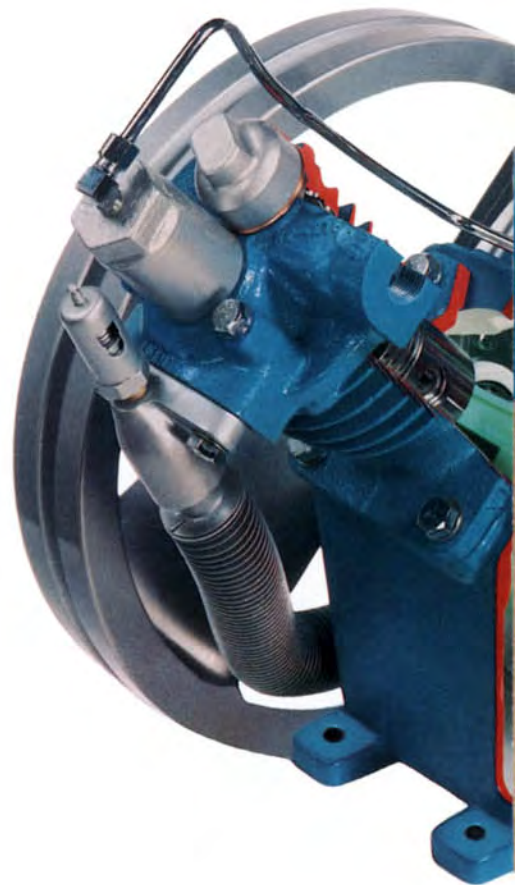
Basic Lifesaver™ compressors (pump only) are readily available for quick field exchange. We have simple adaptor plates that allow us to replace many competitive models quickly and easily.

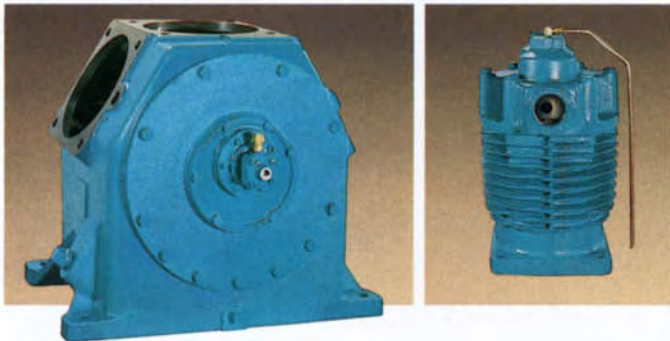
And as the back cover will demonstrate, we're ready to supply complete, mounted packages as well.

CHOOSE TRUE ECONOMY.

A "low cost" compressor that performs inefficiently can cost you plenty. A compressor that fails can cost you even more. So if air power is important to your operation, let us suggest that your most logical choice is the LeROI Lifesaver™ ... made in the U.S.A.

For detailed specifications, simply contact your local LeROI dealer. Or give us a call at 513/492-1171. For some basic *system* considerations, ask for your copy of form D7001.

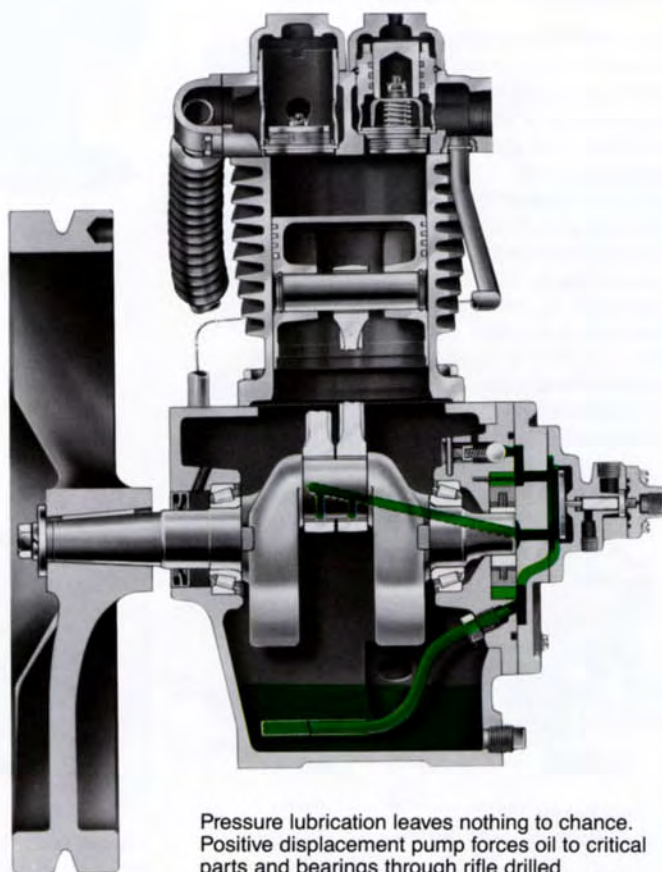




For fast, easy maintenance, all cylinders are detachable from crankcase; all valves individually detachable from heads.



Anatomy of compressor reliability: all cast iron construction totally enclosed crankcases, deep-finned cooling for the cylinders, and pressure lubrication with the Lifesaver[™] interlock system for uptime assurance.



Pressure lubrication leaves nothing to chance. Positive displacement pump forces oil to critical parts and bearings through rifle drilled crankshaft. Lifesaver[™] feature automatically unloads compressor if oil pressure should drop.