

# PURO

Oil/water separator for compressors capacities up to 300SCFM



## PRODUCT FEATURES

The PURO is designed to separate oil from condensate that is extracted from compressed air systems. The PURO condensate separator covers compressor capacities up to 300 SCFM.

Polypropylene has the perfect effect on oil. It attracts oil and captures it, almost as if it draws oil like a magnet. That simplicity and our technology are at the root of the PURO's efficiency to clean virtually all types of condensate, emulsified or not.

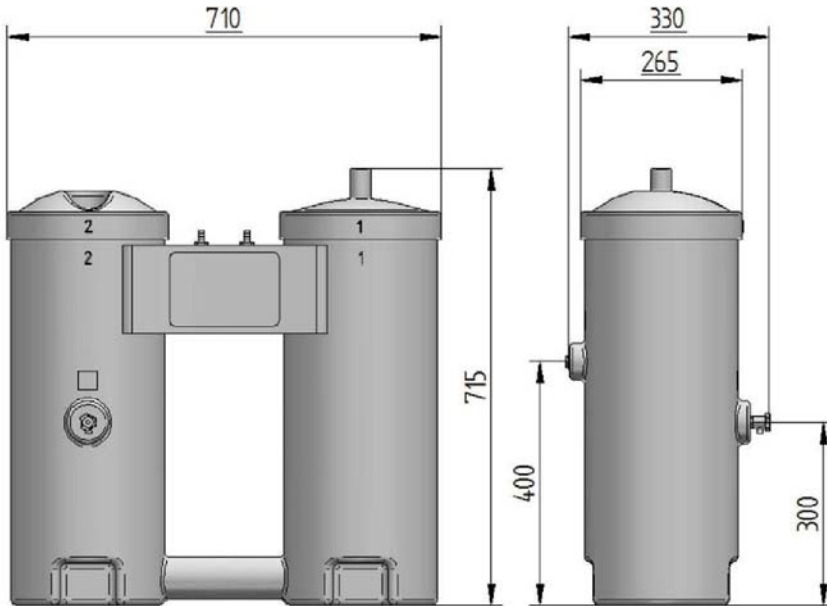
## COMMERCIAL BENEFITS

- Separation of all types of compressor lubricants
- Compact design
- TEST valve and kit feature to test oil ppm residue
- The PURO does not incorporate a settling reservoir (no bacteria growth)
- Clothing kit included.

## TECHNICAL ADVANTAGES

- Any type of condensate drain can be applied.
- No de-rating required.
- Easy serviceable/maintenance.

**PRODUCT DIMENSIONS**



25.4MM=1"

**PRODUCT SPECIFICATIONS**

Compressor capacity	8m <sup>3</sup> /min (300 CFM)
Max. oil adsorption white element	2 3/4 Gallons
High performance white element	1
Activated carbon element	1
Inlet connection	1/2" (2 Each)
Outlet connection	1/2"
TEST valve	Yes
Housing material	PE
Total recyclable	Yes
Housing color	Ral 7026
Lid color	Ral 7021
Weight	Approximate 50 LBS. Can ship UPS

**PRODUCT FEATURES**



TEST feature



TEST kit included



All threads are brass inserts and the hose pipe connectors are included.



Helpful lifting handles on the elements